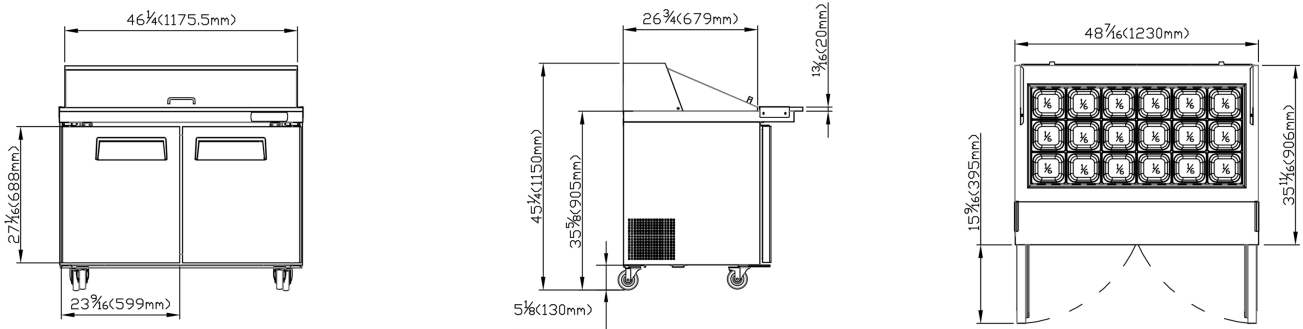
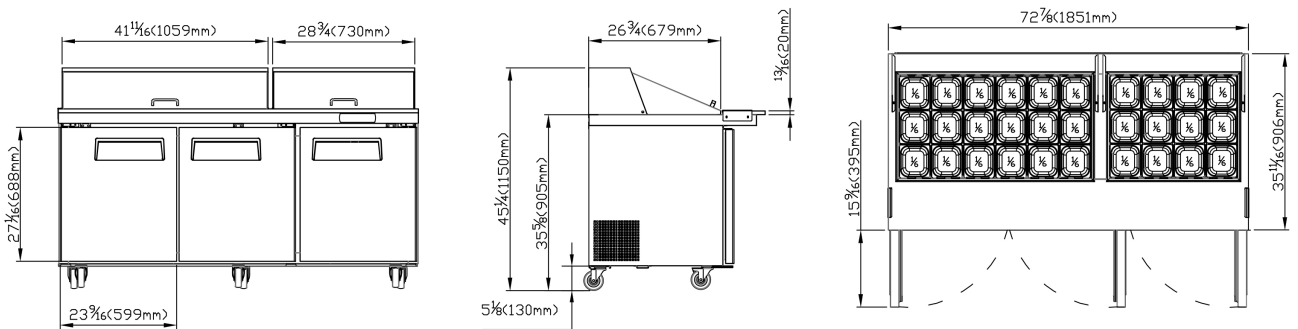


SPECIFICATION & DETAILS



© SUR-48D2-3



© SUR-72D3-3

Model No.	Net Capacity	Unit Dimensions W x D X H	Packaging Dimensions W x D X H	Voltage Frequency	Temp. Range	Refrigerant	40°C QTY
SUR-28D1-3	6.8 Cu. Ft.	27 11/16" × 35 11/16" × 45 1/4"	30 7/16" × 36 5/8" × 48 1/16"	115V / 60Hz	33°F ~ 39°F	R290	72
SUR-36D2-3	8.3 Cu.Ft	36 9/16" × 35 11/16" × 45 1/4"	39 5/16" × 36 5/8" × 48 1/16"	115V / 60Hz	33°F ~ 39°F	R290	57
SUR-48D2-3	12.2 Cu.Ft	60 7/16" × 35 11/16" × 45 1/4"	51 3/16" × 36 5/8" × 48 1/16"	115V / 60Hz	33°F ~ 39°F	R290	44
SUR-60D2-3	17.0Cu.Ft	48 7/16" × 35 11/16" × 45 1/4"	63 3/16" × 36 5/8" × 48 1/16"	115V / 60Hz	33°F ~ 39°F	R290	35
SUR-72D3-3	18.8 Cu.Ft	72 7/8" × 35 11/16" × 45 1/4"	75 5/8" × 36 5/8" × 48 1/16"	115V / 60Hz	33°F ~ 39°F	R290	33

© NOTE: SINOWER RESERVES THE RIGHT TO CHANGE SPECIFICATIONS WITHOUT NOTICE