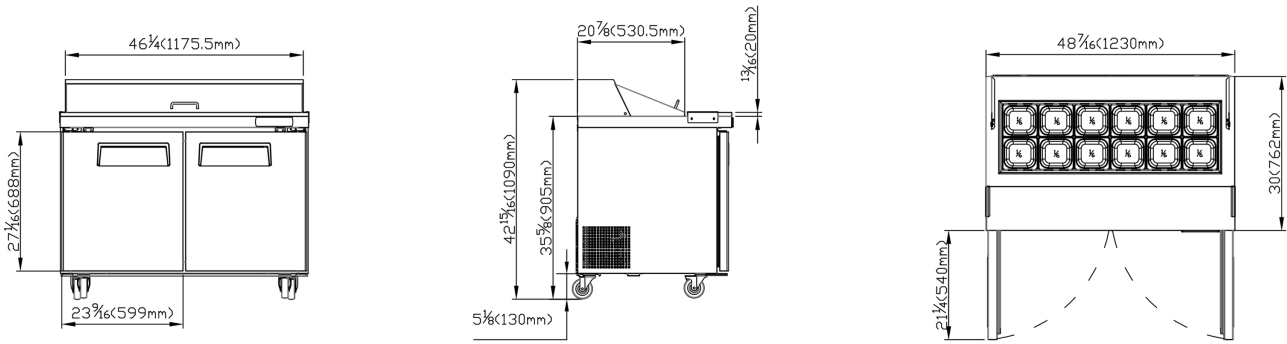
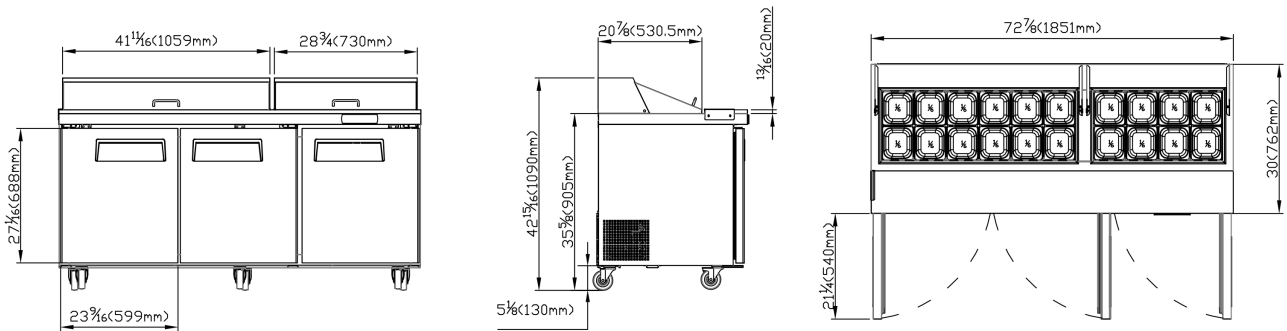


SPECIFICATION & DETAILS



© SUR-48D2



© SUR-72D3

Model No.	Net Capacity	Unit Dimensions W x D X H	Packaging Dimensions W x D X H	Voltage Frequency	Temp. Range	Refrigerant	40'HC QTY
SUR-28D1	6.8 Cu. Ft.	27 11/16" × 30" × 42 15/16"	30 7/16" × 32 11/16" × 45 11/16"	115V / 60Hz	33°F ~ 39°F	R290	86
SUR-36D2	8.3 Cu.Ft	36 9/16" × 30" × 42 15/16"	39 5/16" × 32 11/16" × 45 11/16"	115V / 60Hz	33°F ~ 39°F	R290	67
SUR-48D2	12.2 Cu.Ft	48 7/16" × 30" × 42 15/16"	51 3/16" × 32 11/16" × 45 11/16"	115V / 60Hz	33°F ~ 39°F	R290	52
SUR-60D2	17.0Cu.Ft	60 7/16" × 30" × 42 15/16"	63 3/16" × 32 11/16" × 45 11/16"	115V / 60Hz	33°F ~ 39°F	R290	42
SUR-72D3	18.8 Cu.Ft	72 7/8" × 30" × 42 15/16"	75 5/8" × 32 11/16" × 45 11/16"	115V / 60Hz	33°F ~ 39°F	R290	35

© NOTE: SINOWER RESERVES THE RIGHT TO CHANGE SPECIFICATIONS WITHOUT NOTICE