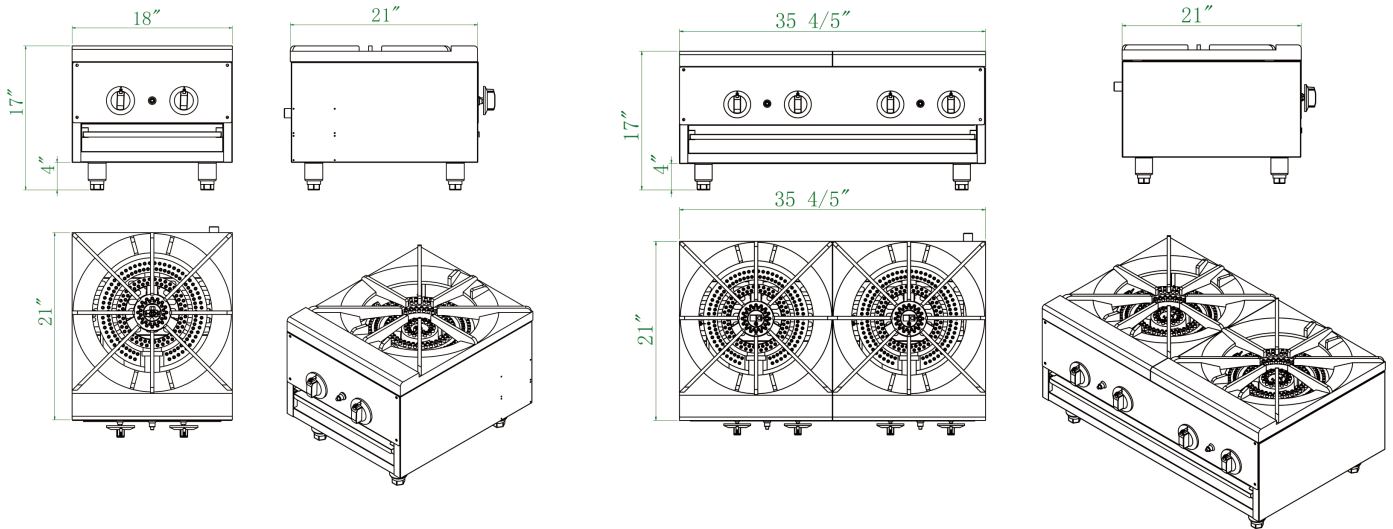


## AVAILABLE MODELS & TECHNICAL SPECIFICATIONS



© TH-RB-1B

© TH-RB-2B

Model	Burners	Gas Type	Intake-tube Pressure (in.W.C.)	Per BTU B.T.U./h	Total BTU B.T.U./h	Regulator	Exterior Dimensions (inch)
TH-RB-1B	2 Burners, Independent	NG LPG	5 10	26500 22500	53000 45000	5" w.c. 10" w.c..	18" x 21" x 17"
TH-RB-2B	4 Burners, Independent	NG LPG	5 10	26500 22500	106000 90000	5" w.c. 10" w.c..	35 13/16" x 21" x 17"

### Notes

- © Flame failure protection available on selected models
- © Gas type (LP or Natural Gas) must be specified when ordering
- © Specifications are subject to change without prior notice

© NOTE: SINOWER RESERVES THE RIGHT TO CHANGE SPECIFICATIONS WITHOUT NOTICE