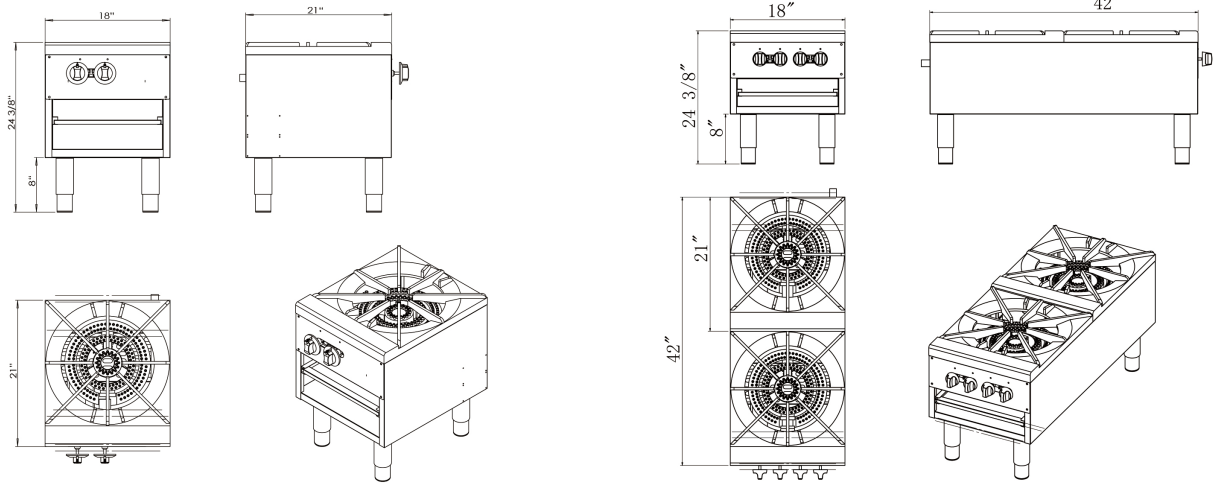


## AVAILABLE MODELS & TECHNICAL SPECIFICATIONS



© TH-RB-1

© TH-RB-2A

Model	Burners	Gas Type	Intake-tube Pressure (in.W.C.)	Per BTU B.T.U./h	Total BTU B.T.U./h	Regulator	Exterior Dimensions (inch)
TH-RB-1	2 Burners, Independent	NG LPG	5 10	40000 29500	80000 59000	5" w.c. 10" w.c..	18" x 21" x 24 3/8"
TH-RB-2A	4 Burners, Independent	NG LPG	5 10	40000 29500	160000 118000	5" w.c. 10" w.c..	18" x 42" x 24 3/8"

### Notes

- © Suitable for commercial foodservice use in the U.S. market
- © Gas type (LP or Natural Gas) must be specified when ordering
- © Specifications are subject to change without prior notice

© NOTE: SINOWER RESERVES THE RIGHT TO CHANGE SPECIFICATIONS WITHOUT NOTICE